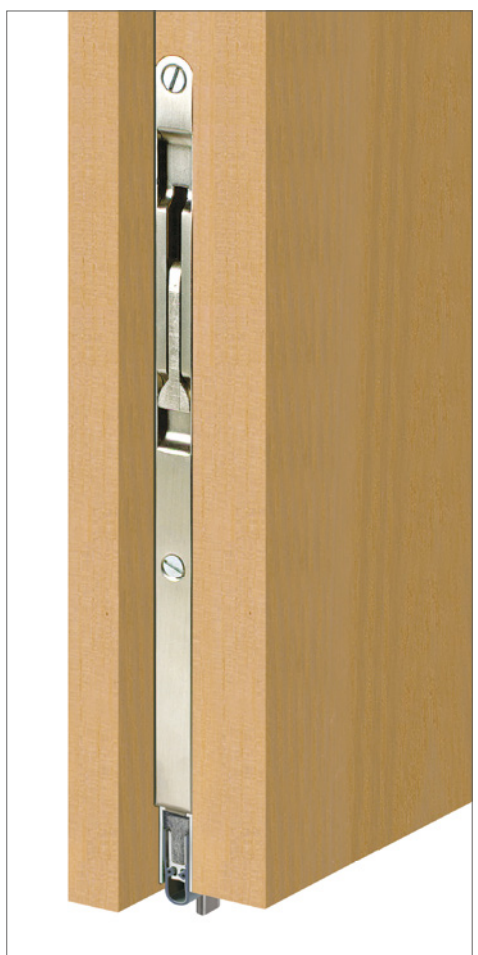
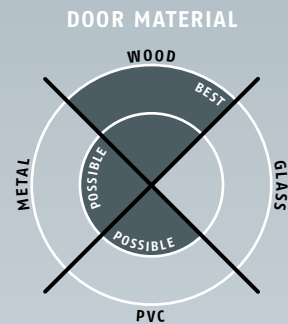


# Planet KR flush bolt

→ for profile dimension 13 and 20 mm



## Main features

- Continuous drop-down seal Planet
- Sound protection
- Appropriate for Planet profile dimension 13 and 20 mm
- Extra long version for high doors available
- With integrated plastic guide
- Execution for DIN L and DIN R
- Planet drop-down seal prepared to fix dimension
- Adjustable locking bolt
- 7 years warranty

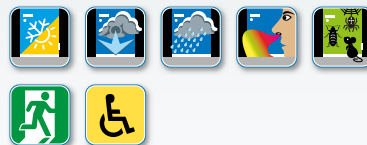
## Versions / options

- Round lock plate below: 250 x 15 x 15 mm
- Angular lock plate below: 250 x 18 x 17 mm (on request)
- Round lock plate on top: 250 x 15 x 15 mm
- Round lock plate on top, long, (for easier operation at high doors): 600 x 15 x 15 mm
- Angular lock plate on top: 250 x 18 x 17 mm (on request)
- Surface: brushed, mat nickel-plated
- Lock plate shape: 15 mm = round  
18 mm = angular (on request)



## Door types with Planet KR

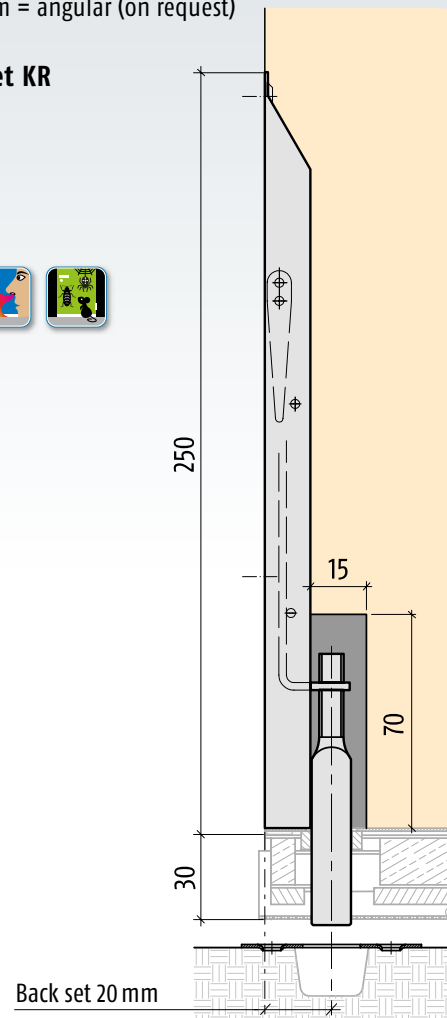


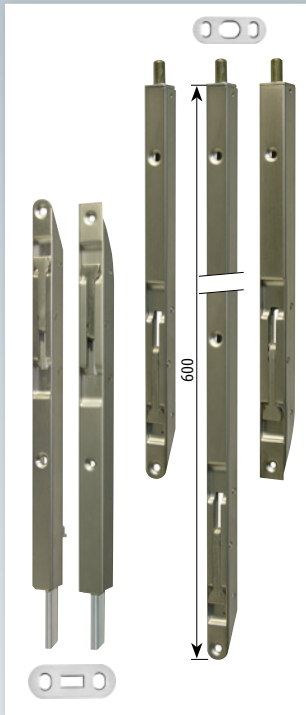
## More functions



## Technical specifications

Material	steel sheet
Surface	brushed, mat nickel-plated
Dimensions	<b>round lock plate:</b> length x width x depth: 250/600 x 15 x 15 mm 
	<b>angular lock plate:</b> length x width x depth: 250 x 18 x 17 mm 
Lift height of bolt	up to 15 mm
Adjustment of bolt lift height	-10 mm / +15 mm
Door seal	DIN L or DIN R





Planet KR flush bolt, incl. strike plate  
**Driving bar rods flattened**  
 → see pages 151 – 161



Strike plate up and down



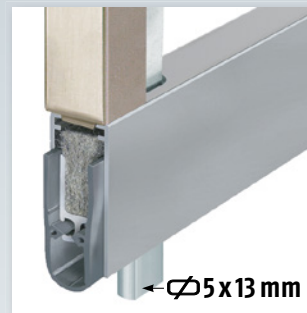
**Accessories:** Planet BM floor strike (several)



**Accessories:** Planet **BM-R** Ø15 / 40 mm floor strike



**Option:** Planet MF with Planet Drill hole Ø5 x 13 mm and KR flush bolt



**Option:** Planet HS with Planet Drill hole Ø5 x 13 mm and KR flush bolt

**Order specifications**

<b>Planet KR flush bolt below</b> incl. strike plate, width 15 mm (round lock plate)	Prod. code 4010
<b>Planet KR flush bolt below</b> incl. strike plate, width 18 mm (angular lock plate)	Prod. code 4020
<b>Planet KR flush bolt on top</b> incl. strike plate, width 15 mm (round lock plate)	Prod. code 4011
<b>Planet KR flush bolt long, 600 mm, on top</b> incl. strike plate, width 15 mm (round lock plate)	Prod. code 4012
<b>Planet KR flush bolt on top</b> incl. strike plate, width 18 mm (angular lock plate)	Prod. code 4021
<b>Attention:</b> Order the drop-down seal with fix dimension and DIN L or DIN R	

**Accessories | Options**

<b>Planet strike plate down</b> suitable for flush bolt Ø5 x 13 mm	Prod. code 900278
<b>Planet strike plate up</b> suitable for flush bolt	Prod. code 900330
<b>Planet Drill hole Ø5 x 13 mm</b> → refer to chapter drilling	Prod. code 900190
<b>Planet BM floor strikes</b> → refer to chapter BM	Several

**Advertising text**

**Planet KR flush bolt**  
**Planet KR flush bolt**, width 15 / 18 mm, appropriate for Planet profile dimensions 13 and 20 mm, bolt cross section Ø5 x 13 mm, adjustable in length, for continuous sealing lips, with lever.

**What drill hole fits which profile widths?**

